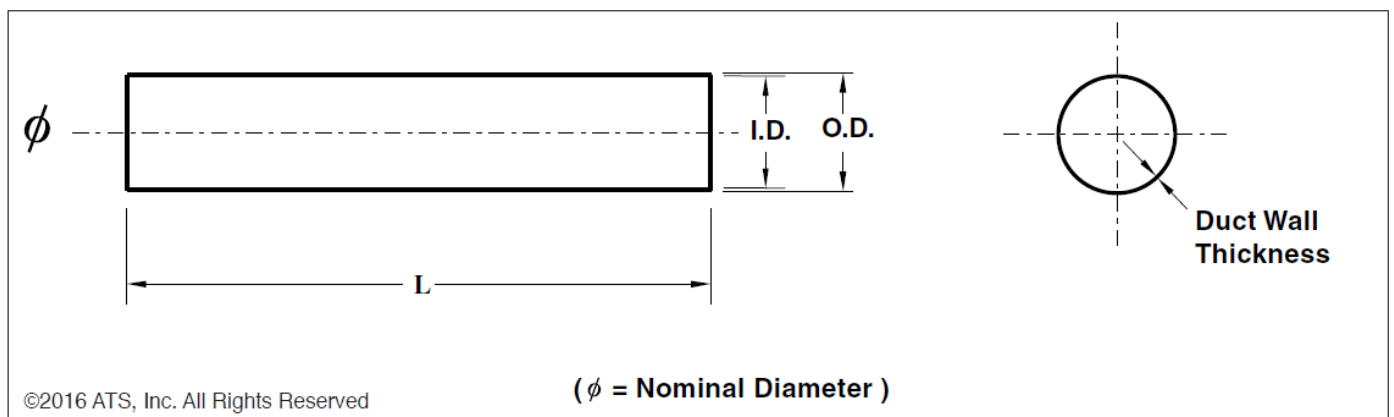
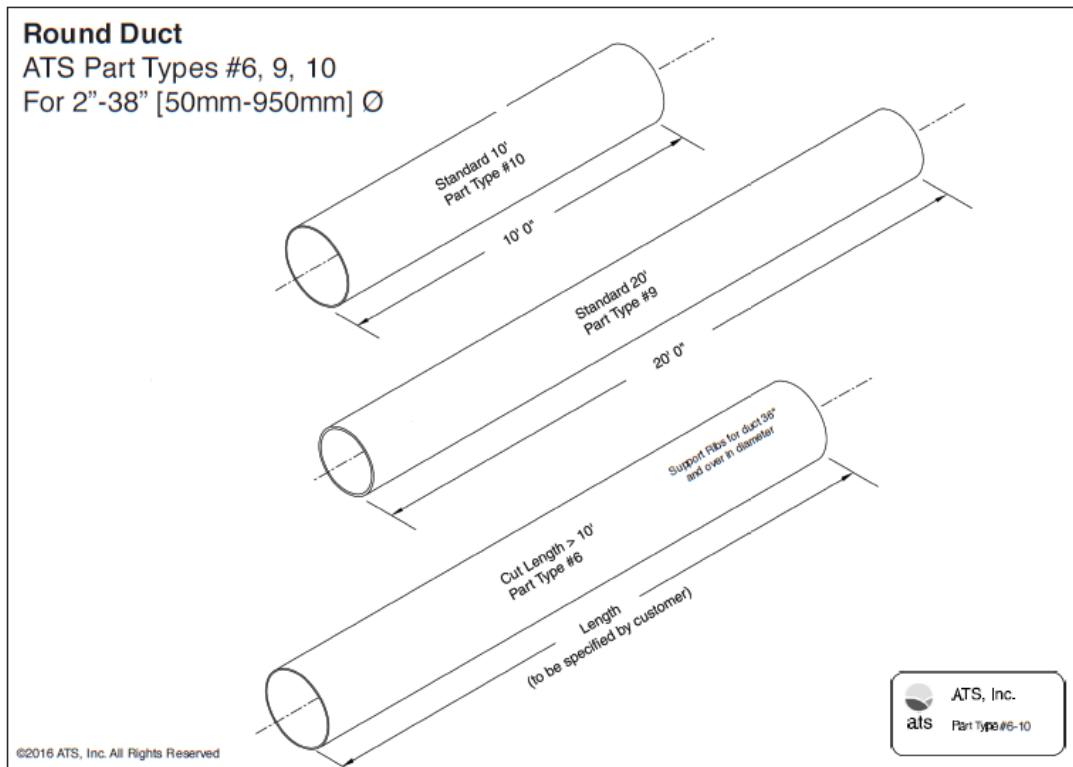


## Straight Ducts

### Round Duct

(ATS Part Types #6, 9, 10 for 2"-38" [50mm-950mm]  $\phi$ )



The ATS standard duct lengths are 10 foot (3 meters) or 20 foot (6 meters).

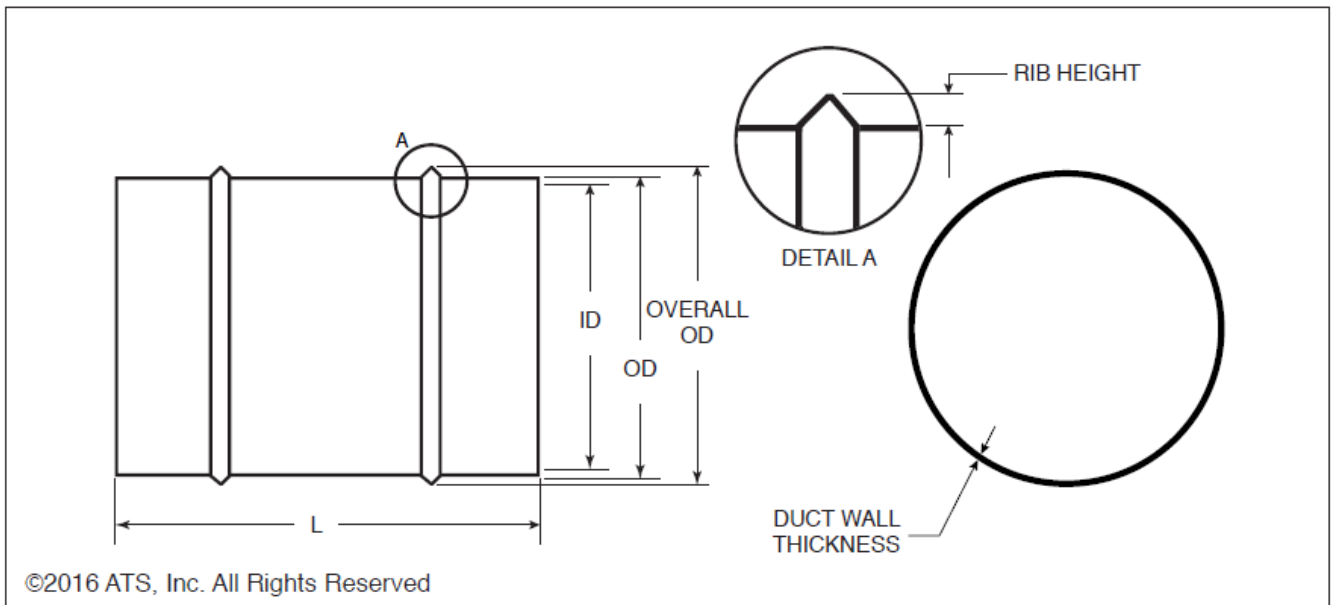
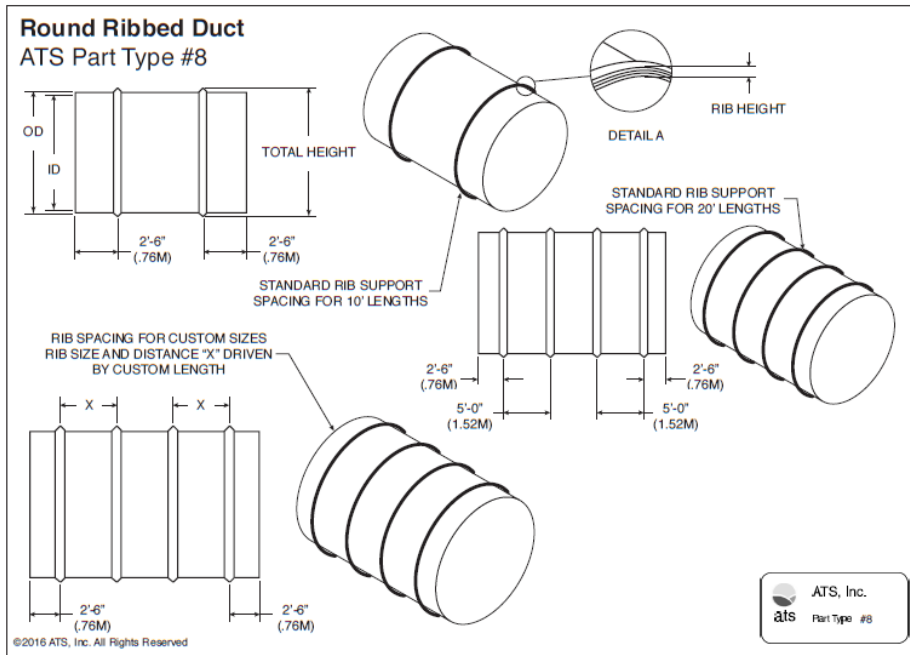


2785 Goodrick Ave.  
 Richmond, CA, USA 94801  
 Phone: +1.510.234.3173  
 atsduct.com

Nominal Diameter		Inner Diameter (ID)		Outer Diameter (OD)		Wall Thickness		Weight	
in.	mm	in.	mm	in.	mm	in.	mm	lbs/ft	kgs/m
2	50	2 1/4	57	2 7/16	62	5/32	4	1	1.5
3	75	3 1/4	83	3 7/16	87	5/32	4	2	3.0
4	100	4 1/4	108	4 7/16	113	5/32	4	2	3.0
6	150	6 1/4	159	6 7/16	164	5/32	4	3	4.5
8	200	8 1/4	210	8 7/16	214	5/32	4	4	6.0
10	250	10 1/4	260	10 7/16	265	5/32	4	5	7.5
12	300	12 1/4	311	12 7/16	316	5/32	4	6	8.9
14	350	14 1/4	362	14 7/16	367	5/32	4	6	8.9
16	400	16 1/4	413	16 7/16	418	5/32	4	7	10.4
18	450	18 1/4	464	18 7/16	468	5/32	4	8	11.9
20	500	20 1/4	514	20 1/2	521	7/32	5	12	17.9
22	550	22 1/4	565	22 1/2	572	7/32	5	14	20.9
24	600	24 1/4	616	24 1/2	622	7/32	5	15	22.4
26	650	26 1/4	667	26 1/2	673	7/32	5	16	23.9
28	700	28 1/4	718	28 7/16	722	7/32	5	20	29.8
30	750	30 3/8	772	30 9/16	776	7/32	5	21	31.3
32	800	32 3/8	822	32 11/16	830	1/4	6	23	34.3
34	850	34 3/8	873	34 11/16	881	1/4	6	24	35.8
36	900	36 3/8	924	36 11/16	932	1/4	6	26	38.8
38	950	38 3/8	975	38 11/16	983	1/4	6	27	40.3

## Round Ribbed Duct

(ATS Part Types #8 for 40"-160" [1000mm-4000mm]  $\varnothing$ )





2785 Goodrick Ave.  
 Richmond, CA, USA 94801  
 Phone: +1.510.234.3173  
 atsduct.com

Nominal Diameter		Inner Diameter (ID)		Outer Diameter (OD)		Wall Thickness		Rib Thickness		Tot. Outside Dim.		Weight	
in.	mm	in.	mm	in.	mm	in.	mm	in.	mm	in.	mm	lbs/ft	kgs/m
40	1000	40 3/8	1026	40 7/8	1038	1/4	6	5/8	16	42 3/4	1086	33	49.2
42	1050	42 3/8	1076	42 7/8	1089	1/4	6	5/8	16	44 3/4	1137	35	52.2
44	1100	44 3/8	1127	44 7/8	1140	1/4	6	5/8	16	46 3/4	1187	37	55.2
46	1150	46 3/8	1178	46 7/8	1191	1/4	6	5/8	16	48 3/4	1238	39	58.1
48	1200	48 3/8	1229	48 7/8	1241	1/4	6	5/8	16	50 3/4	1289	40	59.6
50	1250	50 3/8	1280	50 7/8	1292	1/4	6	5/8	16	52 3/4	1340	42	62.6
52	1300	52 3/8	1330	52 7/8	1343	1/4	6	3/4	19	55 3/16	1402	43	64.1
54	1350	54 3/8	1381	54 7/8	1394	1/4	6	3/4	19	57 3/16	1453	44	65.6
56	1400	56 3/8	1432	56 7/8	1445	1/4	6	3/4	19	59 3/16	1503	45	67.1
58	1450	58 3/8	1483	58 7/8	1495	1/4	6	3/4	19	61 3/16	1554	46	68.6
60	1500	60 3/8	1534	60 7/8	1546	1/4	6	3/4	19	63 3/16	1605	48	71.6
62	1550	62 3/8	1584	62 7/8	1597	1/4	6	1	25	65 3/4	1670	50	74.5
64	1600	64 3/8	1635	64 7/8	1648	1/4	6	1	25	67 3/4	1721	52	77.5
68	1700	68 3/8	1737	68 7/8	1749	1/4	6	1	25	71 3/4	1822	54	80.5
72	1800	72 3/8	1838	72 7/8	1851	1/4	6	1	25	75 3/4	1924	68	101.4
76	1900	76 3/8	1940	77	1956	9/32	7	1	25	80	2032	74	110.3
80	2000	80 3/8	2042	81	2057	9/32	7	1	25	84	2134	78	116.3
84	2100	84 3/8	2143	85	2159	9/32	7	1 1/4	32	88 5/8	2251	83	123.7
88	2200	88 3/8	2245	89	2261	9/32	7	1 1/4	32	92 5/8	2353	87	129.7
92	2300	92 3/8	2346	93	2362	9/32	7	1 1/4	32	96 5/8	2454	91	135.7
96	2400	96 3/8	2448	97	2464	9/32	7	1 1/4	32	100 3/4	2559	95	141.6
100	2500	100 3/8	2550	101 1/8	2569	5/16	8	1 5/16	33	105 1/16	2669	99	147.6
104	2600	104 3/8	2651	105 1/8	2670	5/16	8	1 5/16	33	109 1/16	2770	106	158.0
108	2700	108 3/8	2753	109 1/8	2772	5/16	8	1 5/16	33	113 1/16	2872	112	167.0
112	2800	112 3/8	2854	113 1/8	2873	5/16	8	1 5/16	33	117 1/16	2973	118	175.9
116	2900	116 3/8	2956	117 1/8	2975	3/8	9	1 1/2	38	121 3/4	3092	124	184.9
120	3000	120 3/8	3058	121 1/8	3077	3/8	9	1 1/2	38	125 3/4	3194	132	196.8
124	3100	124 3/8	3159	125 1/8	3178	3/8	9	1 1/2	38	129 3/4	3296	141	210.2
128	3200	128 3/8	3261	129 1/8	3280	3/8	9	1 1/2	38	133 3/4	3397	150	223.6
132	3300	132 3/8	3362	133 1/8	3381	3/8	9	1 3/4	44	138 1/2	3518	159	237.1
136	3400	136 3/8	3464	137 1/8	3483	3/8	9	1 3/4	44	142 1/2	3620	168	250.5
140	3500	140 3/8	3566	141 1/8	3585	3/8	9	1 3/4	44	146 1/2	3721	177	263.9
144	3600	144 3/8	3667	145 1/8	3686	3/8	9	1 3/4	44	150 1/2	3823	186	277.3
148	3700	148 3/8	3769	149 1/8	3788	3/8	9	1 3/4	44	154 1/2	3924	195	290.7
152	3800	152 3/8	3870	153 1/8	3889	3/8	9	2	51	159	4039	205	305.6
156	3900	156 3/8	3972	157 1/8	3991	3/8	9	2	51	163	4140	215	320.5
160	4000	160 3/8	4074	161 1/8	4093	3/8	9	2	51	167	4242	226	336.9